

**PRODUCT, TECHNICAL CHARACTERISTICS AND FEATURES**



220-240V AC / 50-60 Hz



**LED**

This product contains a light source of energy efficiency class C.

**Standard version**

Ta : -20°C ~ +35 °C  
Ref. 190xxx00

**Connected version**

868 MHz / 20 dBm max.  
2,4 GHz / 10 dBm max.  
Ta : -20°C ~ +35 °C  
Ref. 191xxx53

**Connected version with sensor**

868 MHz / 20 dBm max.  
2,4 GHz / 10 dBm max.  
5,8 GHz / 5mW max.  
Ta : -20°C ~ +35 °C  
Ref. 191xxx57 & 191xxx67



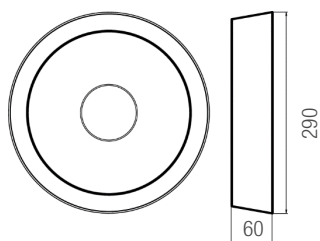
**Declaration of conformity**

Hereby SÉCURLITE declares that its devices comply with the essential requirements and other relevant provisions of Directive 2014/53/EU and 2011/65/EU. The full text of the EU declaration of conformity is available on our website: securlite.com

**Dali version**

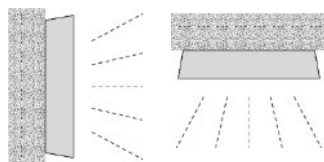
Ta : -20°C ~ +35 °C  
Ref. 190xxx20

**Dimensions**

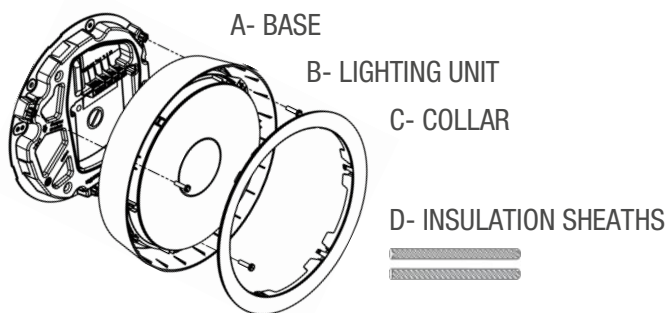


**Conditions of use**

Wall (vertical)      Ceiling (horizontal)



**Composition**



**Needed accessories not supplied**

- Bit M5      Ref. 9800 0003
- Bit-holder      Ref. 9800 0005
- Ø 10 - 14 mm      x 3
- Ø 4,5 - 5,5 mm      x 3

**Lumicare App  
Connected version**

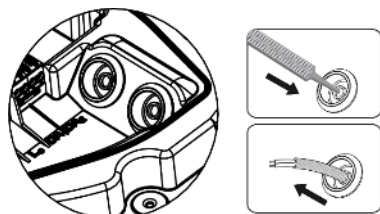


**Compatible devices :**  
iOS 10 or later.  
Android 9.0 or later.

**MOUNTING AND INSTALLATION**

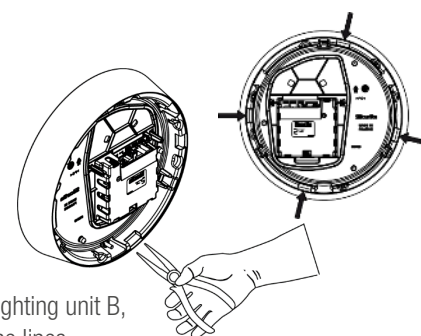
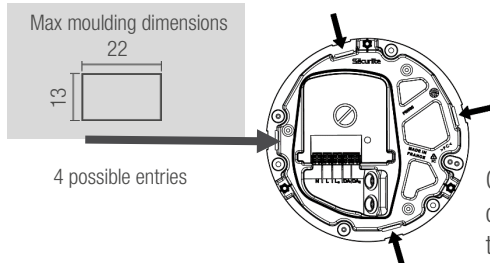
**Preparing the cable entry**

On the BASE A



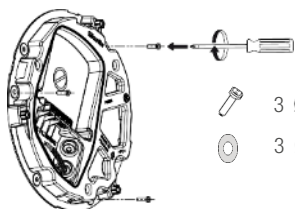
Drill the grommet to fit the cables in

Option – if the cable is supplied by moulding



On the lighting unit B, cut on the lines to the moulding dimensions.

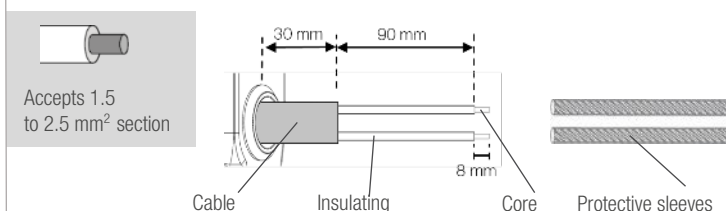
**Base attachment**



- 3 Ø 4,5 - 5,5 mm
- 3 Ø 10 - 14 mm

Use screws and plugs suitable for the type of wall.

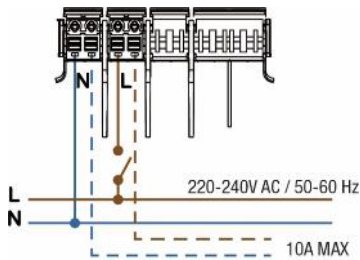
**Cables preparation**



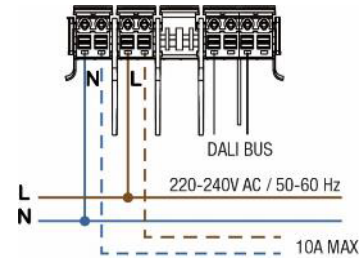
**MOUNTING AND INSTALLATION** (suite)

**Electrical connection**

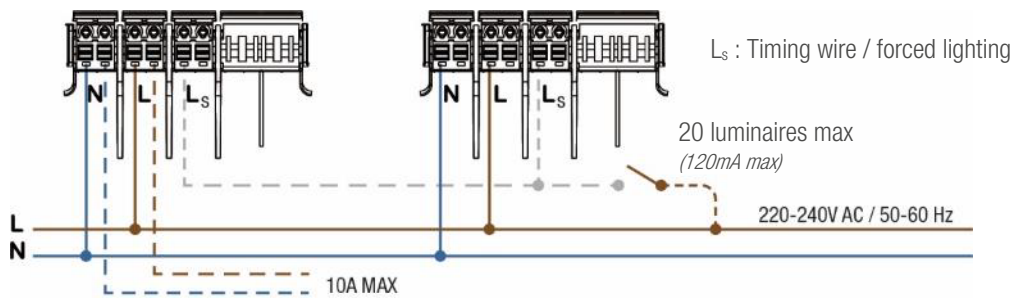
Ref. 190xxx00  
Standard version



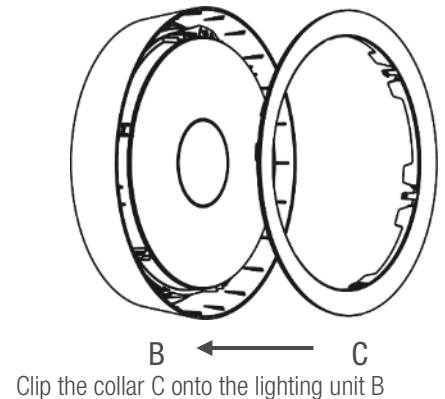
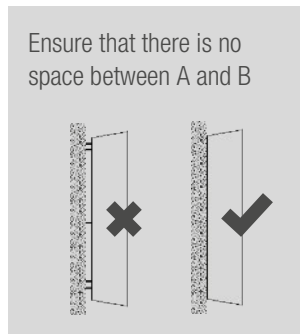
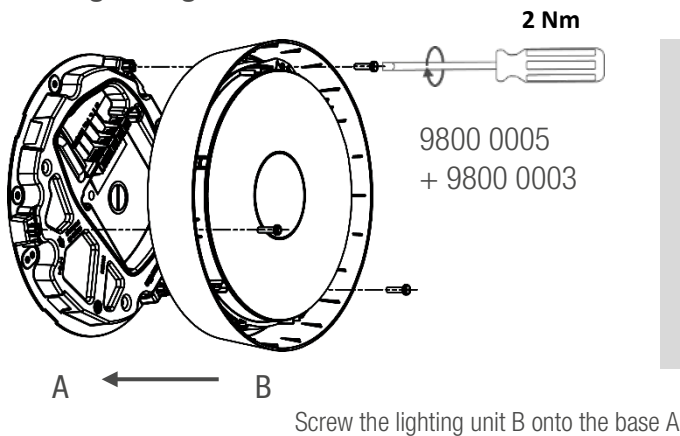
Ref. 190xxx20  
Dali version



Ref. 191xxxxx  
Connected version



**Closing the light fixture**



**CLEANING**

Cleaning of the luminaire is limited to cleaning the diffuser for proper light output. Clean the diffuser (with the luminaire closed) using a damp cloth or with soapy water.

 DO NOT USE DETERGENT

**RECYCLABILITY**



CAPTAIN is an eco-designed luminaire:  
All the plastic or metal components can be dismantled and recycled in a suitable channel.



All electronic components must be handed over to the applicable collection point for the recycling of waste electrical and electronic equipment.