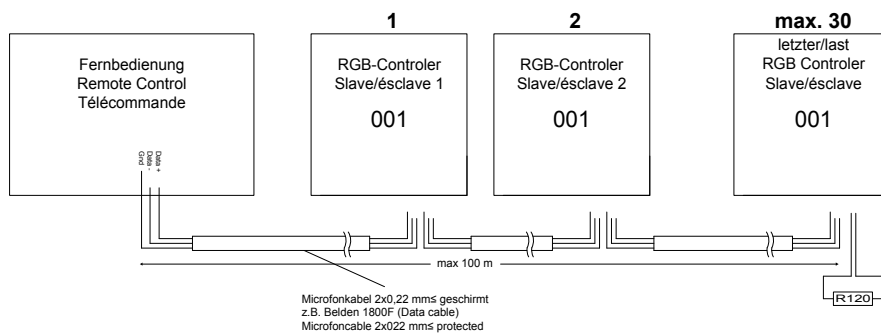


REMOTE CONTROL

FOR COLOURED LIGHT CONTROL OF RGB- AND RGBW-LIGHTS.

- radio remote control for WIBRE controller
- controlling of RGB and RGB-W lights
- 34 preconfigured programs
- 28 fixed colours with adjustable brightness
- 6 colour changes with adjustable speed
- Program selection and setting via 434 MHz handheld transmitter
- 3-digit 7-segment display
- DMX output
- Firmware update via USB
- Radio receiver at 434 MHz
- 2 buttons for selection of the programs
- 2 buttons for setting of brightness and velocity
- digital program display on the receiver
- contents: remote control and receiver



WIRING DIAGRAM-EXAMPLE

MIN/MAX QUANTITY!

Article number	Control output	Dimensions	Weight	Operating temperature
5.0690.09.55	DMX512	160 x 80 x 60 mm (Receiver) 80 x 50 x 17 mm (Transmitter)	0,3 kg	0 - +40°C