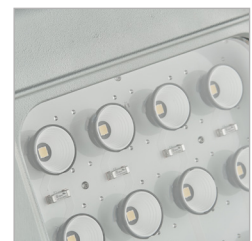


SPARTAN SPZ LED CID2 High Power Floodlight



rayTEC®



Power and Performance

High lumen output up to 34,000 lumens and a range of beam patterns to effectively light up large open areas such as oil rigs.



Robust and Durable

Robust and durable construction from marine grade aluminium and with a wide operating temperature for even the most challenging conditions.



Retrofit and Modular

Designed to directly replace traditional discharge light sources up to 400W SON. The modular design allows easy access to key components and the ability to mount the PSU remotely (contact Raytec for details).



Controllable

DALI 2.0 Dimmable as standard for precise and flexible control of lighting assets.

5 YEAR WARRANTY

All Raytec luminaires are provided with an industry leading 5 year warranty and have an expected useful life in excess of 10 years. See Warranty Statement for details.

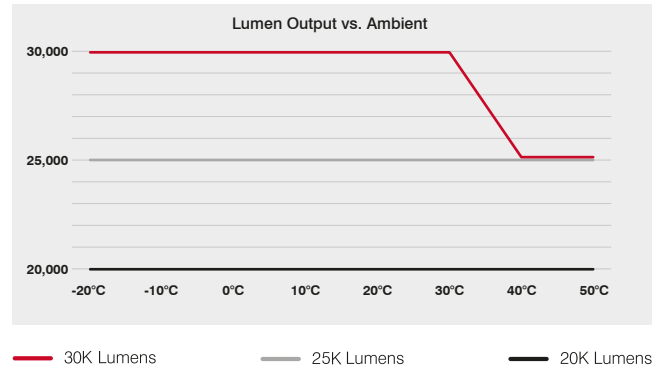


Technical Specifications

Certification

UL Rating	UL/CSA Class I Division 2 rated for Gas and Dust
Certification	Class I, Div 2, Gp ABCD T4 Class II, Div 1, Div 2, Gp E,F,G Tamb = -50°C to +50°C Enclosure Type 4X Applicable Standards CSA C22.2 No. 94.2-07, CSA C22.2 No 25-M1966 CSA C22.2 No. 213-M1987, CSA C22.2 No. 250.13-14 CSA C22.2 No. 141-15 ANSI/ISA 12.12.01-2013, UL 1203 – 5th ed., UL 50E 1st ed UL 8750-1st ed., UL 924 10th ed, UL 844 13th ed
Certificates	UL/CSA, including CID2
ABS Certificate #	ABS Certificate # 23-2432337-PDA

Automatic Thermal Cutback Feature



Electrical

	20K	25K	30K
Input	120-277V 50/60Hz AC/DC		
Power	200W	250W	300W
Termination	Incoming terminal block suitable for looping 4 core 4mm ² cable (6mm ² available - POA)		
Power Factor	>0.95		
Cable Entries	2x 3/4" NPT as standard		

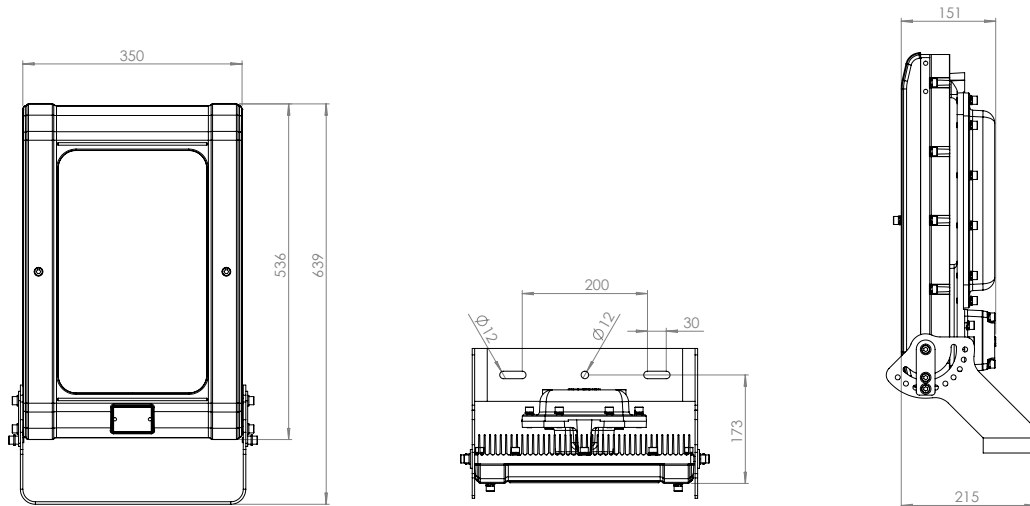
Optical

	20K	25K	30K
Beam Patterns	30° x 30° or 60° x 60° or 90° x 90°		
Lumen Output (Up to)	22,971lm	28,713lm	34,456lm
LED Type	Platinum Elite SMT LEDs		
Number of LEDs	24		
CRI	70+		
Colour Temperature	5,700K		
Automatic Thermal Cutback Feature	Refer to the graph above		

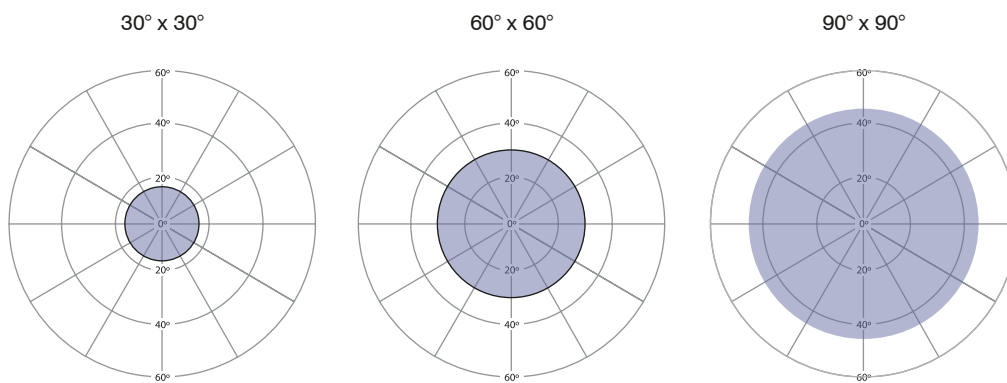
Mechanical

	20K	25K	30K
Burning Position	Universal		
IP Rating	NEMA 4X (IP66)		
Temperature Range	-58°F to +122°F (-50°C to +50°C)		
Weight	51.8lbs (23.5kg)		
Enclosure	Marine grade aluminium epoxy powder coated, toughened glass, all external fasteners and brackets are marine grade stainless steel		
Unit Colour	Silver (RAL 9006)		
Installation Instructions	Please see document 1090-M-0001 at www.rayteclcd.com		
Dimensions	25.2 x 13.8 x 8.5" (639 x 350 x 215mm)		
Mounting	Stirrup bracket (see dimension drawings on Page 3)		

Product Dimensions



Beam patterns - Circular



Part Code Builder

SPARTAN High Power Flood

Example - SPZ-HPFL20K-W-9090-CID2

Family	Model	Light Type	Optics	Variant	Entry
SPZ	HPFL20K	W- White Light	3030	CID2	Not Stated - 3/4" NPT
	HPFL25K		6060		M25
	HPFL30K		9090		M20