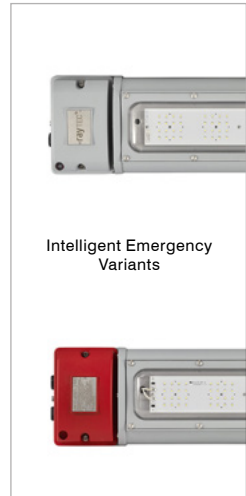


## SPARTAN LED Zone 2/22 SPZ Linear Luminaire

# rayTEC®



### Modular Design

Key components such as the LED and PSU modules are easily accessible for straightforward maintenance and inspection.



### Intelligent Emergency

Self-testing emergency battery providing up to 3 hours emergency back-up.



### Retrofitable

Linear has been designed with the same dimensions, fixing centres and cable entries as traditional fluorescent fittings making it a direct replacement.



### Controllable

DALI 2.0 Dimmable as an option on non emergency variants for precise and flexible control of lighting assets.

## 5 YEAR WARRANTY

All Raytec luminaires are provided with an industry leading 5 year warranty and have an expected useful life in excess of 10 years. See Warranty Statement for details.



# Technical Specifications - Core Products

## SPARTAN Linear WL84



## SPARTAN Linear WL168



### Certification

ATEX Rating	ATEX UKEX and IEC Ex rated for Gas and Dust
Hazardous Area Rating	Zone 2 (Gas), Zone 22 (Dust) (Zone 21 Version also available : Zone 2 (Gas) Zone 21/22 (Dust))
Certificates	Zone 2/22 version: CML15ATEX4138 & IEC Ex CML15.0068 & CML21UKEX4104 (Zone 21 version: CML16ATEX1130 & IEC Ex CML16.0052 & CML21UKEX1100)
Gas	Gas: II 3 G D Ex ec mc IIC T4 Gc Ta= -40°C to +60°C (-20°C to +50°C for emergency variants) (T6 variants also available - contact Raytec)
Dust	Ex tc IIIC T80°C Dc Ta= -40°C to +60°C (-20°C to +50°C for emergency variants)
Dust (Zone 21 version)	II 2 D Ex tb IIIC T80°C Db Ta= -40°C to +60°C (-20°C to +50°C for emergency variants)
ABS Certificate #	#23-2432337-PDA

### Electrical

	WL84	WL84 Emergency	WL168	WL168 Emergency
Input	Standard: 110-254Vac 50/60hz* Optional: 110-277 50/60hz Low voltage version: 18-48V AC and 18-69V DC	110-254V 50/60Hz AC only	Standard: 110-254Vac 50/60hz* Optional: 110-277 50/60hz Low voltage version: 18-48V AC and 18-69V DC	110-254V 50/60Hz AC only
Power	24W	32W	49W	56W
Termination	Incoming terminal block suitable for looping 4 core 4mm <sup>2</sup> cable (6mm <sup>2</sup> available - POA)			
Power Factor	>0.95			
Cable Entries	SPARTAN Linear comes with 2 M20 cable entries at each end of the product, 4 total (Other entries available upon request) Dispatched complete with three ATEX/IEC Ex/UKEX approved blanking plugs			
DALI	Non-emergency products are available as DALI 2.0 enabled as an option. In these variants terminals are provided for loop in/loop out 2 core control cable			

\*T6 variants are AC only, T6 variants are not compatible with DALI.

### Optical

	WL84	WL84 Emergency	WL168	WL168 Emergency
Lumen output on mains	Up to 3524		Up to 7048	
LED type	Platinum Elite SMT LEDs			
Number of LEDs	80		160	
CRI	80+			
Colour Temperature	6500K standard			

### Mechanical

	WL84	WL84 Emergency	WL168	WL168 Emergency
Burning Position	Universal			
IP Rating	IP66 & IP67			
IK Rating	IK10			
Temperature Range	-40°C to +60°C (-40°F to + 140°F)	-20°C to +50°C (-4°F to + 122°F)	-40°C to +60°C (-40°F to + 140°F)	-20°C to +50°C (-4°F to + 122°F)
Weight	6kg (13.2lbs)	7kg (15.4lbs)	9kg (19.8lbs)	10kg (22lbs)

# Technical Specifications - Core Products

Mechanical	WL84	WL84 Emergency	WL168	WL168 Emergency
Enclosure	Marine grade aluminium epoxy powder coated, UV stabilised polycarbonate, all external fasteners and brackets are marine grade stainless steel			
Unit Colour	Silver (RAL 9006)	Silver (RAL 9006) Red (RAL3024) - Emergency battery cover	Silver (RAL 9006)	Silver (RAL 9006) Red (RAL3024) - Emergency battery cover
Installation instructions	Please see document 0920-D-00042 at <a href="http://www.rayteclcd.com">www.rayteclcd.com</a>			
Battery Care	Please see document 0010-D-00001 at <a href="http://www.rayteclcd.com">www.rayteclcd.com</a>			
Dimensions	See dimensional sketches			
Mounting	Via M8/M6 tapped holes. Various mounting arrangements available (please see product overview guide)			

Intelligent Emergency	WL84 Emergency	WL168 Emergency
Function	Self-testing intelligent emergency	
System health indicator	Tri-colour LED indicator	
Emergency Duration	Up to 3hrs @ 25% power. Other options available	
Emergency Battery	Ni/Cd 12V	
Emergency Charge Time	20 hours	

# Technical Specifications - SPARTAN Linear Essential

## SPARTAN Linear WL84-LL



## SPARTAN Linear WL168-LL



### Certification

ATEX Rating	ATEX UKEX and IEC Ex rated for Gas and Dust
Hazardous Area Rating	Zone 2 (Gas), Zone 22 (Dust) (Zone 21 Version also available : Zone 2 (Gas) Zone 21/22 (Dust))
Certificates	Zone 2/22 version: CML15ATEX4138 & IEC Ex CML15.0068 & CML21UKEX4104 (Zone 21 version: CML16ATEX1130 & IEC Ex CML16.0052 & CML21UKEX1100)
Gas	Gas: II 3 G D Ex ec mc IIC T4 Gc Ta= -40°C to +60°C (-20°C to +50°C for emergency variants) (T6 variants also available - contact Raytec)
Dust	Ex tc IIIC T80°C Dc Ta= -40°C to +60°C (-20°C to +50°C for emergency variants)
Dust (Zone 21 version)	II 2 D Ex tb IIIC T80°C Db Ta= -40°C to +60°C (-20°C to +50°C for emergency variants)
ABS Certificate #	#23-2432337-PDA

### Electrical

	WL84-LL	WL168-LL
Input	Standard: 110-254Vac 50/60hz* Optional: 110-277 50/60hz Low voltage version: 18-48V AC and 18-69V DC	Standard: 110-254Vac 50/60hz* Optional: 110-277 50/60hz
Power	24W	49W
Termination	Incoming terminal block suitable for looping 4 core 4mm <sup>2</sup> cable (6mm <sup>2</sup> available - POA)	
Power Factor	>0.95	
Cable Entries	SPARTAN Linear Essential comes with 2 M20 cable entries at one end of the product, 2 total (Other entries available upon request) Dispatched complete with three ATEX/IEC Ex/UKEX approved blanking plugs	
DALI	Non-emergency products are available as DALI 2.0 enabled as an option. In these variants terminals are provided for loop in/loop out 2 core control cable	

\* T6 variants are AC only, T6 variants are not compatible with DALI.

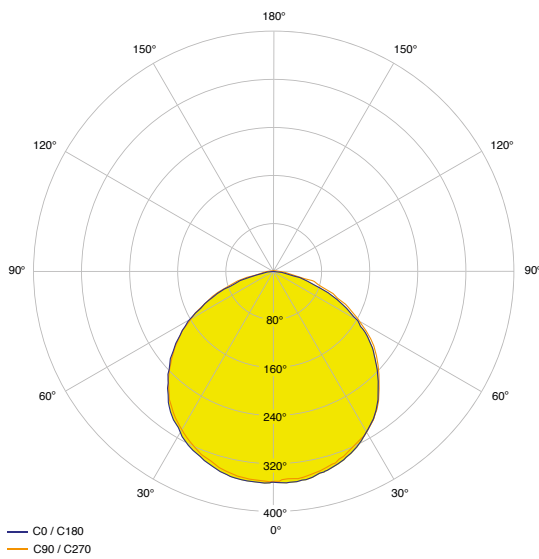
### Optical

	WL84-LL	WL168-LL
Lumen output on mains	Up to 3524	Up to 7048
LED type	Platinum Elite SMT LEDs	
Number of LEDs	80	160
CRI	80+	
Colour Temperature	6500K standard	

# Technical Specifications - SPARTAN Linear Essential

Mechanical	WL84-LL	WL168-LL
Burning Position	Universal	
IP Rating	IP66 & IP67	
IK Rating	IK10	
Temperature Range	-40°C to +60°C (-40°F to + 140°F)	
Weight	6kg (13.2lbs)	9kg (19.8lbs)
Enclosure	Marine grade aluminium epoxy powder coated, UV stabilised polycarbonate, all external fasteners and brackets are marine grade stainless steel	
Unit Colour	Silver (RAL 9006)	
Installation instructions	Please see document 920-D-0042 at <a href="http://www.rayteclcd.com">www.rayteclcd.com</a>	
Dimensions	See dimensional sketches	
Mounting	Via M8/M6 tapped holes. Various mounting arrangements available (please see product overview guide)	

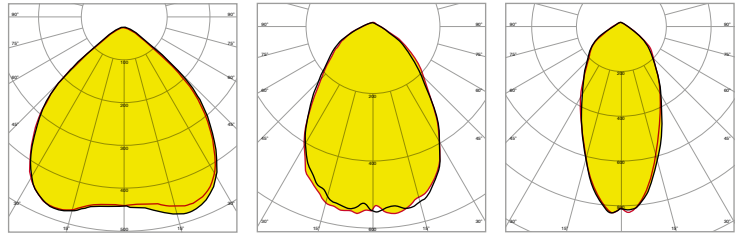
# Light Distribution



Zone 2 - Standard

— C0 / C180  
— C90 / C270

## Symmetrical Optics

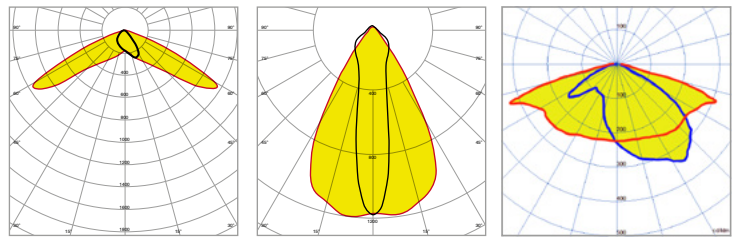


90x90

60x60

30x30

## Asymmetrical Optics



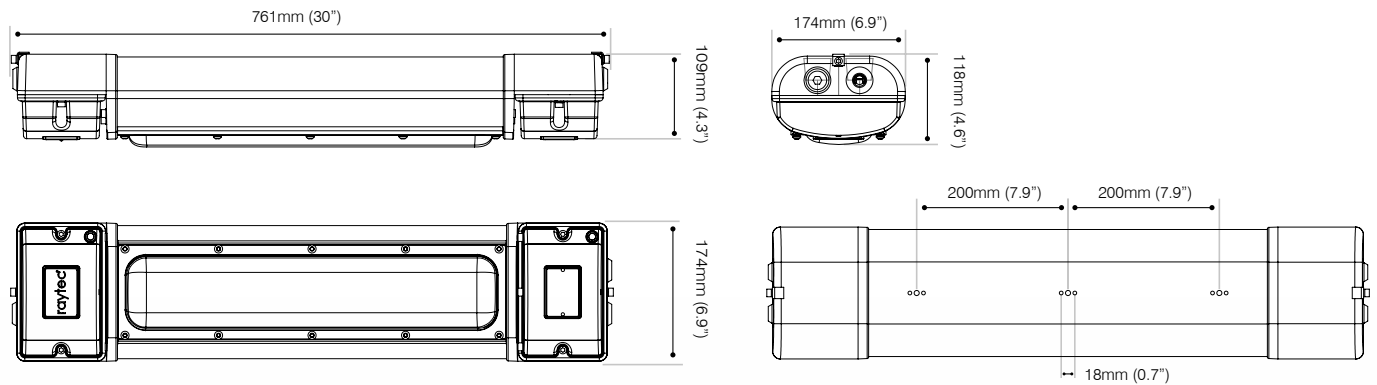
Safety Shower -  
Wide Beam

Aisle -  
80x30

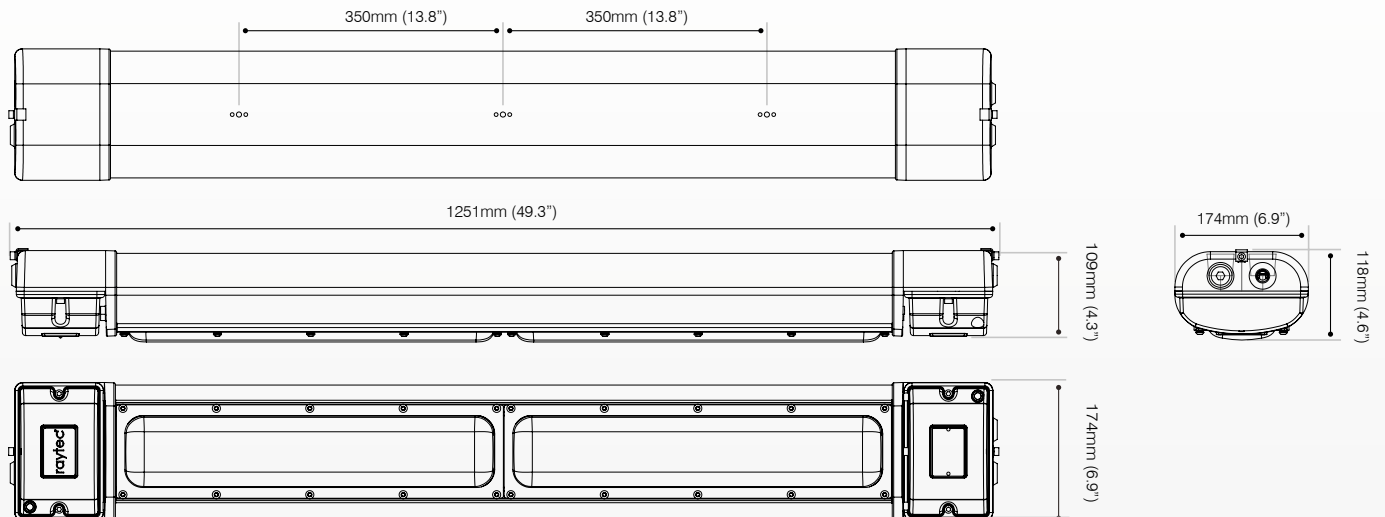
PP3  
Optic

# Product Dimensions

## WL84, WL84 Emergency

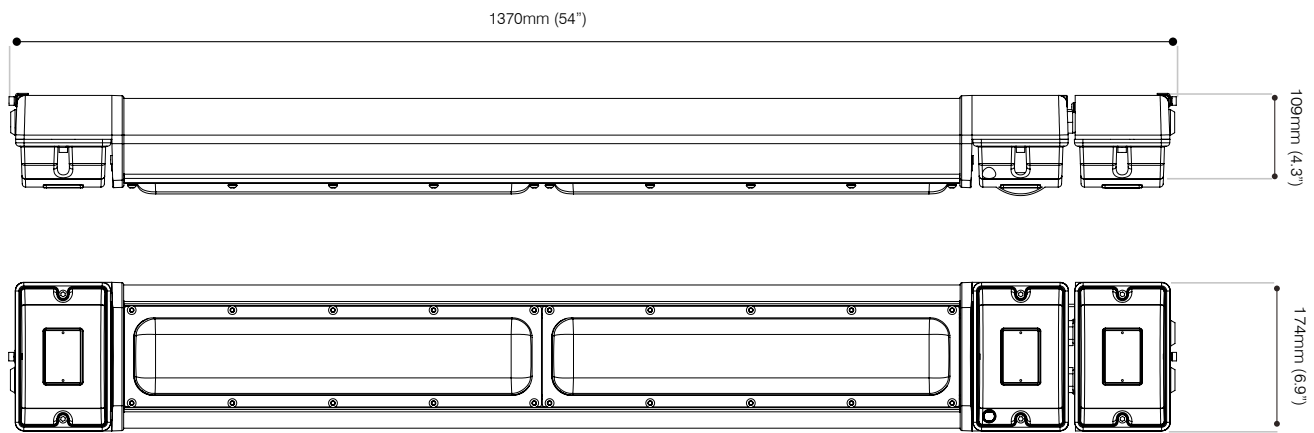


## WL168

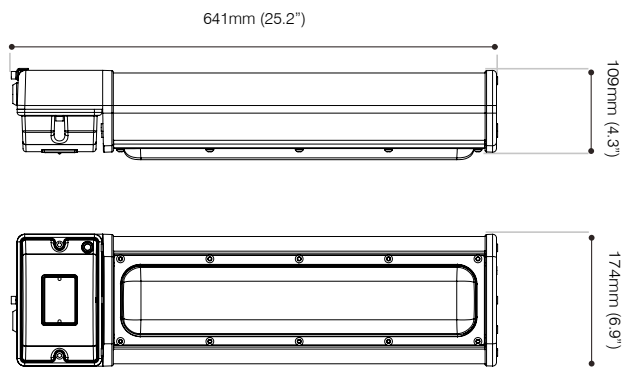


# Product Dimensions

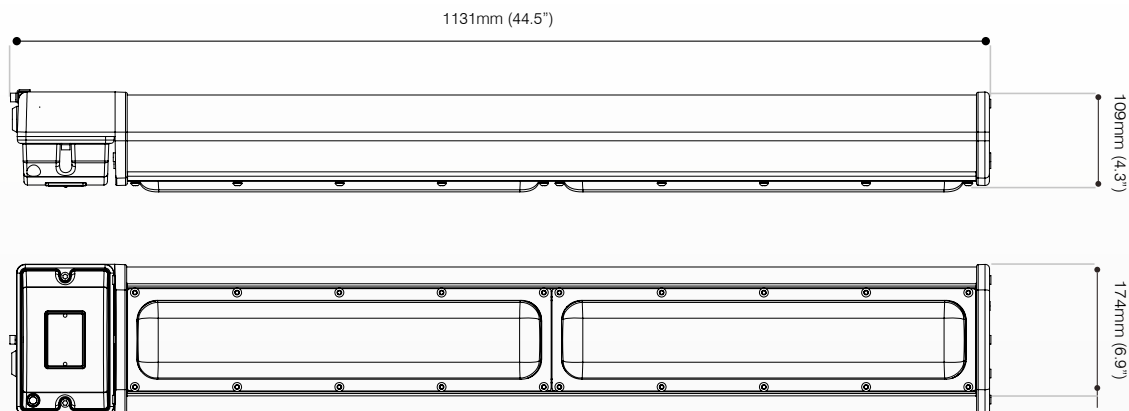
## WL168 Emergency



## WL84 Essential



## WL168 Essential

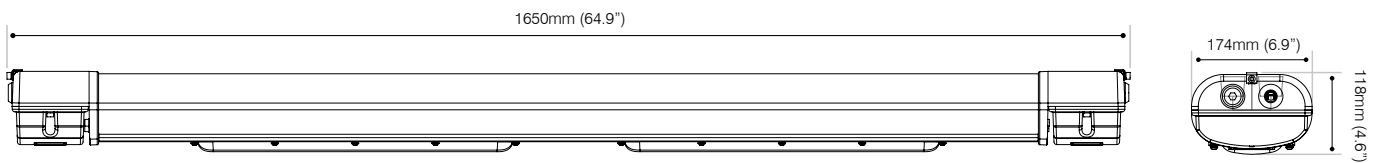


## Product Dimensions

### WL84 - 1200, WL84 - 1200 Emergency



### WL168 - 1500



### SPARTAN Linear Models with 200mm mounting points:

WL84 / WL84 Emergency / WL84 Essential

### SPARTAN Linear Models with 350mm mounting points:

WL168 / WL168 Emergency / WL168 Essential / WL84-1200 /  
WL84-1200 Emergency / WL168-1500



# Part Code Builder

## SPARTAN Linear Zone 2 Family

**Standard:** Example - SPZ-WL84-EMX25

Family	Model	Emergency/ DALI	Variant	CCT	Optics	Power	Entry
SPZ	WL84	Not Stated - Non EM	T6 - T6 variant	Not Stated - 6500K	Not Stated - Standard	Not Stated - 110-254Vac	Not Stated - M20
	WL168	EMX25 (25% for 3 hours)	Z21 - Zone 2/21/22 version	4K - 4000K	Other optics available - please contact Raytec	277 - 110-277 50/60hz	M25
	WL84-1200	DA - DALI				LV - Low Voltage (Non EM only)	
	WL168-1500						

**Essential:** Example - SPZ-WL84-LL

Family	Model	DALI	Variant	CCT	Optics	Power	Entry
SPZ	WL84-LL	Not Stated - Non DALI	T6 - T6 variant	Not Stated - 6500K	Not Stated - Standard	Not Stated - 110-254Vac	Not Stated - M20
	WL168-LL	DA - DALI	Z21 - Zone 2/21/22 version	4K - 4000K	Other optics available - please contact Raytec	277 - 110-277 50/60hz	M25
						LV - Low Voltage (WL84 only)	

\*T6 variants are AC only, T6 variants are not compatible with DALI.  
\*Alternative versions available. Please contact Raytec for details.

## SPARTAN Linear Specials



### Safety Shower Variants

- Green LED technology designed for use where safety shower units are located.
- Dominant wavelength: 519nm
- Dedicated safety shower optic for maximum visibility

Example ordering code: SPX-WL168-G  
Other options available, contact Raytec for full ordering information.



### Wildlife-Friendly Variants

- Amber LED technology designed to protect wildlife in coastal locations or natures reserves.
- Dominant wavelength: 600nm

Example ordering code: SPX-WL168-4K-A  
Other options available, contact Raytec for full ordering information



See SPARTAN Linear Mounting & Accessories Guide for full range of accessories

## Disclaimer

The information provided in this document was accurate at the time of its creation. However, due to the evolving nature of our products and continuous improvements, there may be changes or updates that occur after its publication. For the most current and detailed information about our products, please contact our sales team at sales@rayteclcd.com.