

Product, technical characteristics and features

PRODUCT RANGE :

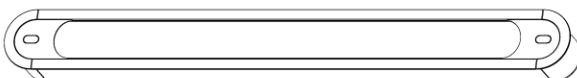
SLIM version
Code 57xxxx..



S version
Code 56xxxx..



E version
Code 58xxxx..



A45 version
Code 55xxxx..



Standard installation kit :

98xxxxxx : Plug for end cap (x2)
TORX + PIN M4x16 screw for end cap fixing (x2)
TORX + PIN M5x20 screw for SYSTEO UNIT mounting (x2)

Installation kit (to be ordered separately) :

98540002 : Suspended mounting flange kit 3m

General characteristics :

Nominal voltage : 220 - 240V AC - 50 / 60 Hz
Input voltage range : 198 - 264V AC
Protection class : II
Protection rating : IP65
Mechanical impact resistance rating :
IK11 / 50j (SLIM et E version)
IK11+ / 80j (S and A45 version)

Light source :

LED modules.

This product contains a light source of energy efficiency class C.

Power(s) : as per label product.

Reference(s) : as per label product.

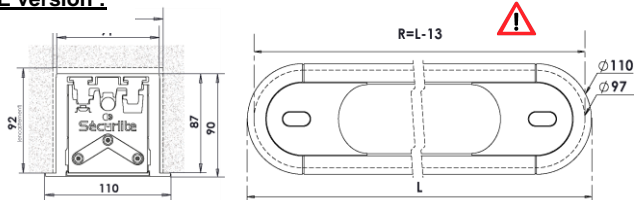
- ..xxxx00 : without detection
- ..xxxx04 : slave version + extinction warning
- ..xxxx05 : slave version + standby warning
- ..xxxx16 : with pro detection + radio control
- ..xxxx44 : with pro detection + radio control + extinction warning
- ..xxxx45 : with pro detection + radio control + standby warning
- ..xxxx21 : DALI dimmable + switch dimming

Other reference(s) with option(s) : See specific instructions.

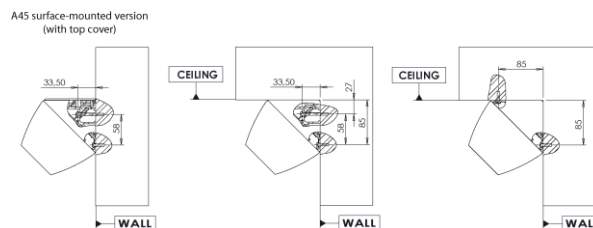
VERSION	Length L (mm)			
	SLIM	S	E	A45
Unit 611	737	786	756	786
Unit 891	1017	1066	1036	1066
Unit 1171	1297	1346	1316	1346

VERSION	Dimensions (mm)			
	SLIM	S	E	A45
width	91	140	110	140
height	90	90	90	158

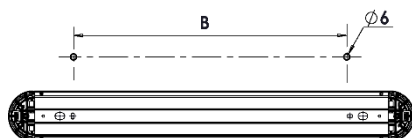
E version :



A45 version



Mounting



Version	B wall mounting version (mm)	B suspended Version SLIM et S (mm)	Recommended power cable length (mm)	KG			
				SLIM	S	E	A45
Unit 611	503	532	235	4.35Kg	5.60Kg	4.40Kg	7.50Kg
Unit 891	783	812	360	5.65Kg	7.30Kg	5.75Kg	9.80Kg
Unit 1171	1063	1092	500	6.85Kg	8.90Kg	7.00Kg	11.95Kg

Conditions of use

- **Opal LED version** : Horizontal and Vertical positions (cable gland facing downwards).
- **Optic LED version** : Ceiling position only.

Mounting / Installation



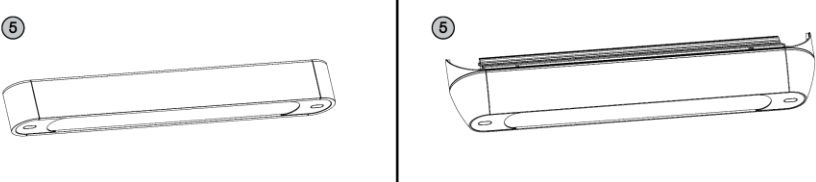
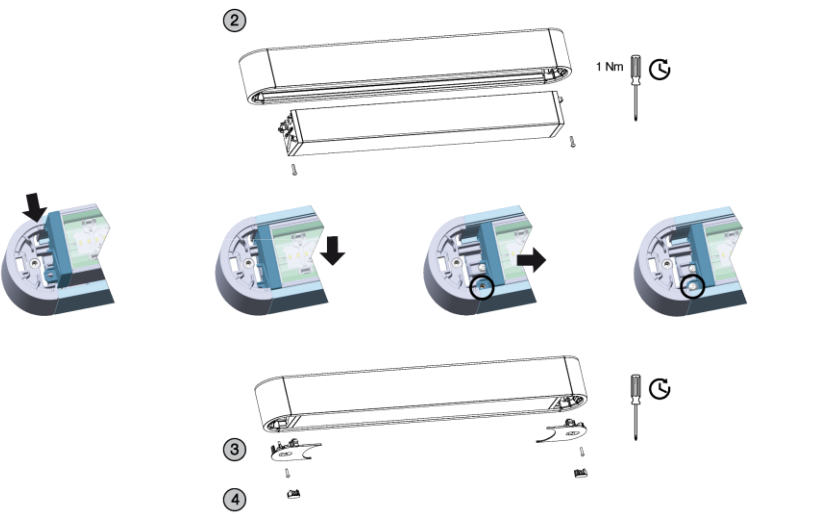
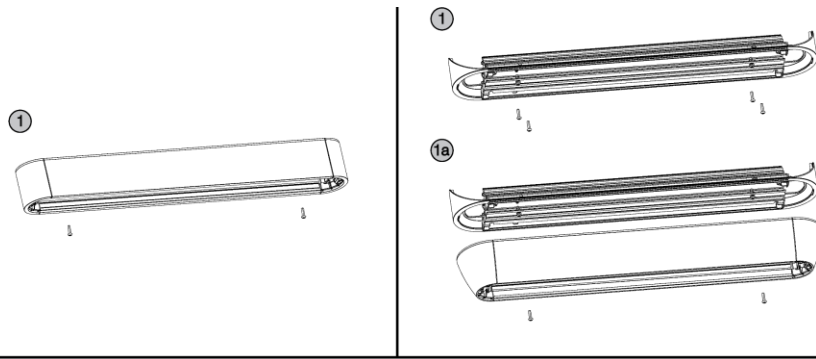
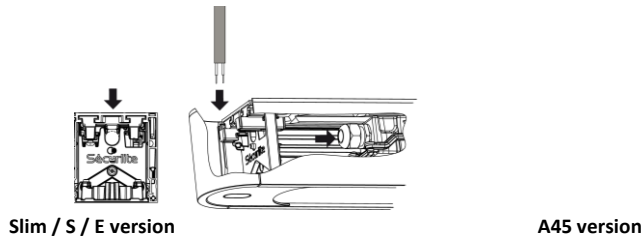
Fitting & installation must be carried out by a professional installer in accordance with current installation standards.



Isolate the power before fitting and connecting up.



Warning, versions employing LEDs are at risk from ESD (electrostatic)



- Pass the cable through the rear area of the end cap.
- Refer to the NOT0870 manual for the electrical connection of the light unit.

- Use 5mm diameter flat head screws and dowels adapted to the type of support for optimum resistance to tearing (fig.1)..

- For model A45, fix the aluminium profile to the wall bracket using the 2 Torx + pin M5 screws supplied in the kit 98..... (fig.1a).

- Align and slide the light unit down one side of the aluminium profile.

- Shift the light unit to the mounting hole.

- Fix the light unit to the aluminium profile using the 2 TORX screws + M4 pin supplied in the kit 98.....

- Clip and fix the end caps onto the aluminium profile (fig.3) using the 2 TORX + pin M5 screws supplied in the kit 98.....

- Clip on the screw covers (fig.4).

- Luminaire assembled

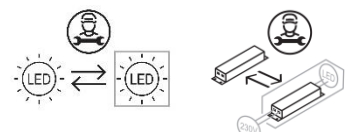
Cleaning

Cleaning of the luminaire is limited to cleaning the diffuser for proper light output. Clean the diffuser (with the luminaire closed) using a damp cloth or with soapy water.



DO NOT USE DETERGENT

Maintenance



The light source and the control gear contained in this luminaire must only be replaced by the manufacturer or his service agent or a similar qualified person.

Recyclabilité



SYSTEO UNIT SLIM / S / E et A45 version are an eco-designed luminaire :

- All the plastic or metal components can be dismantled and recycled via appropriate facilities.
- All the electronic components such as the LED circuit, power supply, etc. can be dismantled and recycled via appropriate facilities.