

LED floodlight

FOCO XL 7800 6403

[Item no. : 78000 0011]



General product description

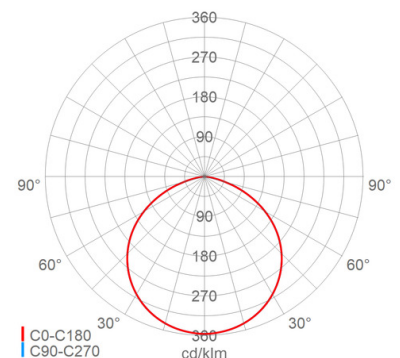
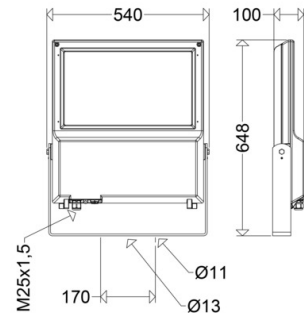
LED floodlight FOCO XL of the GreenLine series with outstanding sustainable product design. Consisting of powder-coated die-cast aluminium housing, two-part. Upper part with LED modules, lower part with ECG, tempered safety glass pane, cable entry and strain relief, hinged. Zhaga LED modules, direct beam, Multi-Layer Technology. ECG with high surge protection, overload and short circuit protection. Mounting bracket with swivel range of 180°.

General product benefits

- perfect thermal management due to direct connection of the LED modules to the housing, large cooling surface, excellent thermal conductivity
- homogenous illumination due to Multi-Layer Technology, i.e. every individual LED illuminates the whole surface, the light distribution curves of the LED are overlapping
- comfortable maintenance due to hinged and removable lower part of the housing, large opening allows easy access to the terminal box and the electrical components, ECG replaceable on-site
- no light emission into the upper half space, ULOR=0
- eco-friendly, all versions dimmable to 10% with color temperature up to max. 3,000K fulfill the Dark Sky requirements
- sustainable, interchangeable components
- future proof by using standardised Zhaga LED modules
- GreenLine luminaire, outstanding sustainable design

Applications

Industrial and storage areas, construction sites, surface mining large-scale equipment, facade illumination etc.



LED floodlight

FOCO XL

7800 6403

[Item no. : 78000 0011]

Technical data**Key technical data**

Light source:	LED
LED module standard:	Zhaga
Exchangeability:	light source and control gear replaceable by qualified person
Connected load:	140 W
Luminaire luminous flux:	22650 lm
Luminous efficacy:	162 lm/W
Colour temperature:	4000 K
Colour rendering (CRI):	≥ 70
Light colour:	740
Admissible ambient temperature Ta:	-40 °C to +40 °C
Control gear:	1 x ECG, Overload protection , Short circuit protection
Overvoltage protection:	10 kV

Lighting technology

Light distribution:	wide beam
Beam angle:	115 °
Photobiological safety:	RG2

Service life

Service life LED:	L90>100000 h (@ Ta max)
-------------------	-------------------------

Electrical connection

Rated voltage:	220 - 240 V, 50/60 Hz
Terminal clamp:	Screw terminal, 3-polig, 0.75 - 2.5 mm ²
Max. no. (with CB B16):	7
CB B10/B13/B20:	5/6/9
CB C10/C13/C16/C20:	7/9/11/14
Cable entries:	M25 (1x), cable gland (1x), Plastic, 9 - 17 mm

Housing

Housing material:	Die-cast aluminium
Varnished:	Yes
Colour:	grey, DB702N

Cover

Cover type/material:	Pane (Safety glass)
Cover characteristic:	clear
Closure:	screwed

Mounting

Mounting method (accessories possibly needed):	Ceiling with bracket, Wall with bracket
Operating position:	downwards radiation
Mounting:	2-point
Swivel range:	0 - 180 °
Wind-exposed surface:	0.27 m ²

Features/Certificates

Protection class:	I
-------------------	---

Features/Certificates

IP rating:	IP66
IK rating:	IK09
Approval marks:	CE
Energy efficiency class:	B

Other features

Pressure compensation system:	Yes
-------------------------------	-----

Dimension/Weight

Length:	648.00 mm
Width/Diameter:	540.00 mm
Height:	100.00 mm
Net weight:	15.90 kg
EAN/GTIN:	4041254263519

LED floodlight

FOCO XL**7800 6403**

[Item no. : 78000 0011]

Optional accessories/spare parts

Item no.	Item name	Item description
78001 9001	ABD 7800	spare safety glass
75739 9010	7700/7800/1 M	pole-top bracket for single-mounting
75739 9011	7700/7800/2 M	pole-top bracket for double-mounting
90270 0006	ROB 60/76 G2	
90117 9000	2537	cable gland M25 for Ex-Zone 1/21
75350 0033	SD 7800 ST	Vibration-absorbing mounting, galvanised steel